



HP Colorado and HP SureStore Tape Drive User's Guide

[Using Your Tape Drive](#)

[System Requirements](#)

[Customer Support](#)

[Legal Information](#)

[Prerequisites](#)

[Related Documentation](#)

[Printing This Guide](#)

Welcome to the HP Colorado and HP SureStore Tape Drive User's Guide

Your HP Tape Drive lets you quickly and easily store your data. This guide explains the basics of using your tape drive. Click on one of the topics on the left to get started.

Refer to the Installation Guide that came with your tape drive for installation instructions.



Home



Index



Help

HP Colorado and HP SureStore Tape Drive User's Guide

[Feedback](#)

Copyright © 1999 Hewlett-Packard Company



HP Colorado and HP SureStore Tape Drive User's Guide

Using Your Tape Drive

- [Choosing Tapes](#)
- [Inserting Tapes](#)
- [Removing Tapes](#)
- [Write-Protecting Tapes](#)
- [Caring for Your Tape Drive](#)

[System Requirements](#)

[Customer Support](#)

[Legal Information](#)

[Related Documentation](#)

[Printing This Guide](#)



Home



Index



Help

Choosing Tapes

To ensure the highest level of performance, HP Colorado and/or HP SureStore brand tapes (which have been fully tested with your drive) are recommended. Refer to the [Where to Buy](#) section in this user's guide for information on purchasing tapes.

For information on using backup software with your tape drive, see either the *HP SureStore T20 Installation Guide* or the *TapeWare User's Guide*.

CAUTION: Do not erase C4425, C4429, C4436, or C4435 with bulk erasers.



Magnetic bulk erasing removes tracking reference points that are placed on the tape at the factory. Without these points, the tapes cannot be read by your tape drive. The Colorado Backup Erase utility is the safest and quickest way to remove data from your tapes.

Part No.	Product		HP Colorado							HP SureStore	
			T1000	T3000	T4000	5GB	8GB	14GB	20GB	T4i/e	T20
C4420A	800 MB cartridge (TR-1)	1 pk	RW	R	-	R*	R*	-	-	-	-
C4420D		5 pk	RW	R	-	R*	R*	-	-	-	-
C4425A	8 GB cartridge (TR-4)	1 pk	-	-	RW	-	RW	R	R	RW	R
C4425D		5 pk	-	-	RW	-	RW	R	R	RW	R
C4427A	3.2 GB cartridge (TR-3)	1 pk	-	RW	-	R*	R*	-	-	-	-
C4427D		5 pk	-	RW	-	R*	R*	-	-	-	-
C4429A	5 GB cartridge	1 pk	-	-	RW	RW	RW	R	R	RW	R
C4429D		5 pk	-	-	RW	RW	RW	R	R	RW	R
C4435A	20 GB cartridge (TR-5)	1 pk	-	-	-	-	-	-	RW	-	RW
C4435D		5 pk	-	-	-	-	-	-	RW	-	RW
C4436A	14 GB cartridge	1 pk	-	-	-	-	-	RW	RW	-	RW
C4436D		5 pk	-	-	-	-	-	RW	RW	-	RW

RW=Read/Write, R=Read only

Recommended media compatibility is shaded in gray.



Tape drives that feature HP Media Monitor.

**When backed up with Colorado Backup Software for Windows 95/98.

NOTE: Most backup applications include a Tape Retension function. You should retension your tape periodically. The retension function fast-forwards and rewinds the tape. This helps guarantee the reliability of data transfer when backup operations are performed.

Windows 95/98 only: In addition to the tapes in the above table, the T1000, T3000, T4000, 5GB, 8GB, or 14GB tape drives can also read from but **not** write to backup tapes made using Colorado Backup software and a Jumbo 250, 350, 700, 1400; Trakker 250, 350, 700; T1000; or T3000 tape drive.

The HP Colorado 14GB and 20GB tape drive features the HP Media Monitor, which monitors the life of each cartridge and tells you when your tape should be replaced.



CAUTION: Do not share tapes used in a HP Colorado 14GB or 20GB drive with a HP SureStore T20 drive, because the HP Media Monitor usage level will be reset.



Home



Index



Help

HP Colorado and HP SureStore Tape Drive User's Guide

[Feedback](#)

Copyright © 1999 Hewlett-Packard Company



Using Your Tape Drive

- [Choosing Tapes](#)
- [Inserting Tapes](#)
- [Removing Tapes](#)
- [Write-Protecting Tapes](#)
- [Caring for Your Tape Drive](#)

[System Requirements](#)

[Customer Support](#)

[Legal Information](#)

[Related Documentation](#)

[Printing This Guide](#)



Home



Index



Help

Inserting Tapes

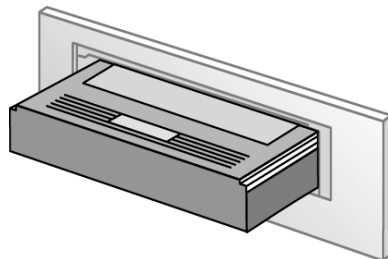
1. Hold the tape with the tape-access window facing the drive and the metal base plate facing down (internal drive) or away from the colored strip (external drive).
2. External drive: Steady the drive with one hand.
3. Align the tape with the tape drive's opening, and push the tape firmly into the drive. The tape locks into place. **Part of the tape extends out of the drive when fully inserted**, as shown in the Tip below.
4. You hear the tape winding back and forth. This sound indicates the tape drive is:
 - finding the beginning of a tape,
 - determining the tape's length and format, and
 - positioning the drive's read/write head.

TIP: Note the differences between the two cartridge types when fully inserted.

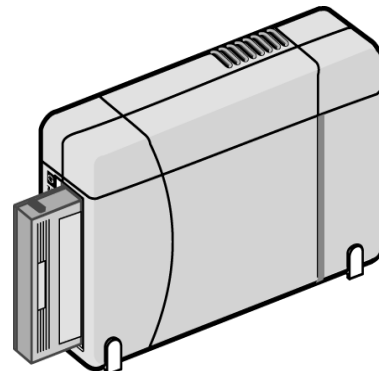
HP Colorado Cartridges

The wider Travan cartridge spans the entire width of the drive's opening.

Approximately 1" (2.5 cm) of the cartridge extends out of the drive when fully inserted.



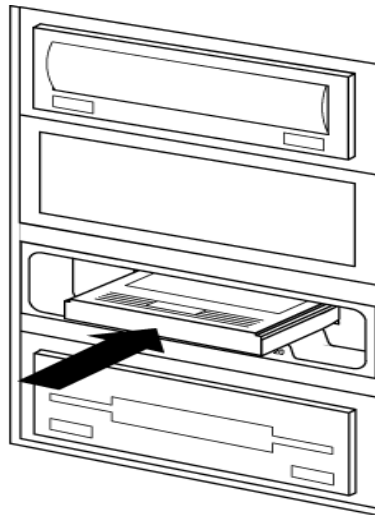
Internal



External

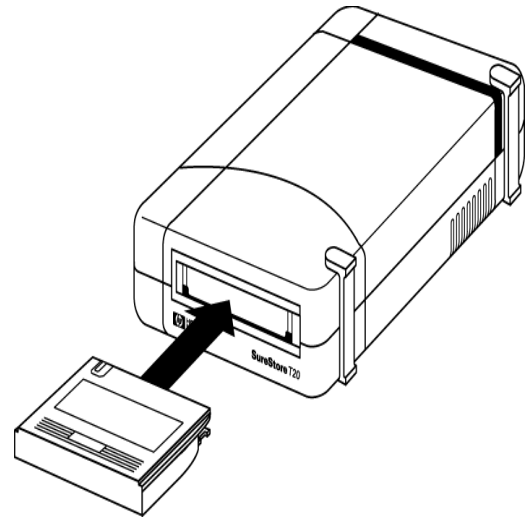
HP SureStore Cartridges

With the internal drive, the back of the cartridge will be flush with the recessed bezel.



Internal

With the external drive, the cartridge extends out of the drive when fully inserted.

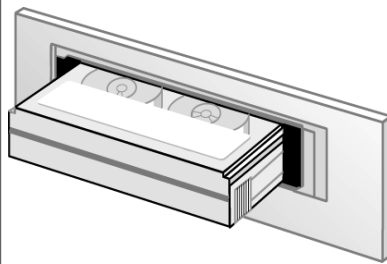


External

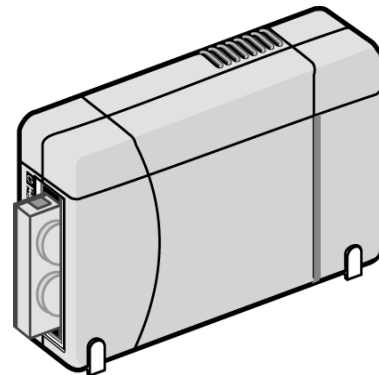
Standard Mini Cartridges

Mini-data cartridges are narrower, leaving gaps on each side of the tape when inserted.

Approximately .75" (2 cm) of the cartridge extends out of the drive when fully inserted.



Internal



External



Home



Index



Help

HP Colorado and HP SureStore Tape Drive User's Guide

[Feedback](#)

Copyright © 1999 Hewlett-Packard Company



Using Your Tape Drive

[Choosing Tapes](#)

[Inserting Tapes](#)

[Removing Tapes](#)

[Write-Protecting Tapes](#)

[Caring for Your Tape Drive](#)

[System Requirements](#)

[Customer Support](#)

[Legal Information](#)

[Related Documentation](#)

[Printing This Guide](#)

Removing Tapes

1. Wait until the light on the front of the tape drive stops blinking.



CAUTION: Do not remove a tape during an operation!

You will not be able to read data currently written to the tape if, during a backup, you either:

- pull the tape out of the drive
- turn off the power to the computer, or
- firmly bump the tape or drive.

2. Grasp the tape cartridge firmly and pull it straight out from the drive.



Home



Index



Help



Using Your Tape Drive

[Choosing Tapes](#)

[Inserting Tapes](#)

[Removing Tapes](#)

[Write-Protecting Tapes](#)

[Caring for Your Tape Drive](#)

[System Requirements](#)

[Customer Support](#)

[Legal Information](#)

[Related Documentation](#)

[Printing This Guide](#)



Home



Index



Help

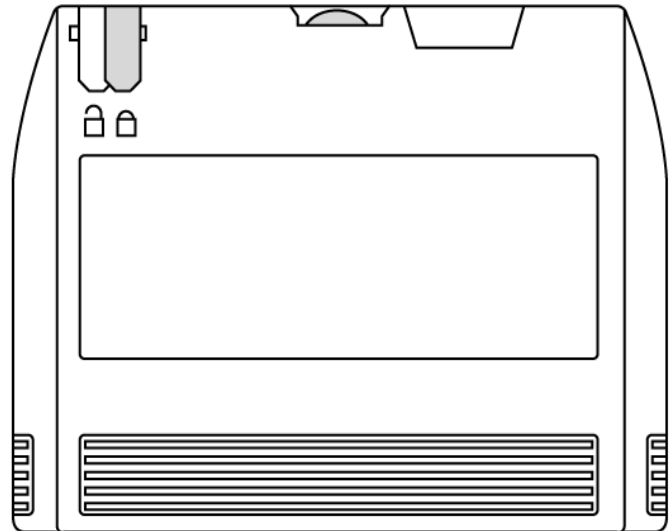
Write-Protecting Tapes

If you write-protect a tape cartridge, the tape drive can only read data from the tape, not write to it. This protects data on the tape cartridge from being erased or overwritten (e.g., when you are restoring files from tape).

- To write-protect a cartridge, slide the write-protect tab on the cartridge to the right.
- To remove write-protection from a cartridge, slide the write-protect tab to the left.



Write-protect tab
in locked position



Home



Index



Help



Using Your Tape Drive

[Choosing Tapes](#)

[Inserting Tapes](#)

[Removing Tapes](#)

[Write-Protecting Tapes](#)

Caring for Your Tape Drive

[System Requirements](#)

[Customer Support](#)

[Legal Information](#)

[Related Documentation](#)

[Printing This Guide](#)



Home



Index



Help

Caring for Your Tape Drive

You do not need to perform any routine maintenance on the HP SureStore T20 or HP Colorado tape drive.



CAUTION: Do not clean, degauss, or demagnetize the read/write head of an HP Colorado or HP SureStore tape drive. Damage to your tape drive will result.

Care for Tapes

Follow these guidelines for handling tape cartridges:

- Do not open the tape door unnecessarily. This may expose the tape to contamination or damage.
- Do not touch the tape or leader. Dust and natural skin oils can affect tape performance.
- Do not drop the tapes. You might damage the tape's internal mechanisms. Handle the tapes with care and store them in a safe place.
- Do not forget to periodically retension the tape. Retensioning helps eliminate any slack in the tape reels.

Storing Tapes

Tape cartridges should be stored safely to ensure that they perform their desired role: protecting your data.

- Do not place tape cartridges near sources of electromagnetic interference, such as under a telephone or near computer monitors, motors, video or X-ray equipment.
- Keep cartridges out of direct sunlight and away from heaters.

Store cartridges in their plastic cases in an environment that is free from dust.



Home



Index



Help

HP Colorado and HP SureStore Tape Drive User's Guide

[Feedback](#)

Copyright © 1999 Hewlett-Packard Company



[Using Your Tape Drive](#)

System Requirements

[Hardware Requirements](#)

[Drive Specifications](#)

[Performance Factors](#)

[Customer Support](#)

[Legal Information](#)

[Related Documentation](#)

[Printing This Guide](#)



Home



Index



Help

Hardware Requirements

- [HP Colorado Tape Drives](#)
- [HP SureStore Tape Drives](#)

HP Colorado Tape Drive Requirements

Your computer must meet or exceed these requirements to install an HP Colorado tape drive:

- **An IBM-compatible computer:**
Pentium class or higher for Windows 95/98 or Windows NT Workstation 4.0/2000 Professional.
- **Internal drive only:** An available space on an IDE controller (ATA-2 or EIDE) or slot for optional HP IDE card.
- **External drive only:** A parallel port. All IBM-compatible computers (desktop, tower, and laptop computers) have at least one parallel port to send and receive data to and from devices such as printers and tape drives. Ports are commonly referred to as LPT1, LPT2, and LPT3.
- **A CD-ROM drive** to install the backup software.
- **Windows NT Workstation 4.0/2000 Professional or Windows 95/98.**
- **16 MB RAM.**
- **30 MB available hard drive space** (10 MB for software and 20 MB for user guides).

To check in Windows for available hard drive space:

1. Double-click **My computer**.
2. Click the icon representing the hard drive on which the backup software will be installed.
3. Open the **File** menu and select **Properties**.

- **An HTML browser** is required to view the user guides. The install process checks your system for Netscape 3.0 or later or Internet Explorer 3.0 or later. If these are not found, you can install Internet Explorer, which requires approximately 44 MB of hard disk space, from the CD.

HP SureStore T20 Tape Drive Requirements

NOTE: See Chapter 1 in the *HP SureStore T20 Installation Guide* for hardware requirements. Operating system requirements are outlined below.

The HP SureStore T20 tape drive is compatible with the following operating systems using the following backup software:

- **Novell NetWare (v4.11, 4.2, 5.0, 5.1) with TapeWare requires a Windows 95/98/NT 4.0 Workstation/2000 Professional client**
- **Red Hat Linux (v5.2, 6.0, 6.1) with TapeWare**
- **Microsoft Windows NT/2000 Server with TapeWare Service Pack 3 or later for NT 4.0/2000 Server**
- **Microsoft Windows NT Workstation 4.0/2000 Professional with HP Colorado Backup II**
- **Windows 95/98 with HP Colorado Backup II**

To install the drive, your system also needs:

- **32 MB RAM.**
- **30 MB available hard drive space** (10 MB for software and 20 MB for user guides).

To check in Windows for available hard drive space:

1. Double-click **My computer**.
2. Click the icon representing the hard drive on which the backup software will be installed.
3. Open the **File** menu and select **Properties**.

- **An HTML browser** is required to view the user guides. The install process checks your system for Netscape 3.0 or later or Internet Explorer 3.0 or later. If these are not found, you can install Internet Explorer from the CD, which requires approximately 44 MB of hard drive space.



Home



Index



Help

HP Colorado and HP SureStore Tape Drive User's Guide

[Feedback](#)

Copyright © 1999 Hewlett-Packard Company



[Using Your Tape Drive](#)

System Requirements

[Hardware Requirements](#)

[Drive Specifications](#)

[Performance Factors](#)

[Customer Support](#)

[Legal Information](#)

[Related Documentation](#)

[Printing This Guide](#)



Home



Index



Help

Drive Specifications

- [HP Colorado 5GB/8GB](#)
- [HP Colorado 14GB](#)
- [HP SureStore T20](#)

Drive Specifications: HP Colorado 5GB/8GB Tape Drive

Backup Speed NOTE: Performance varies greatly depending on system speed, current hard drive fragmentation, and number and type of files being backed up.	Data transfer rate: up to 648 KBps Tape speed: Read/write: up to 102 inches per second Tape speed: Search/rewind: 120 inches per second Load time: 15 seconds
Tape Format	QIC-3095 Number of tracks: 73 Bit density: 67,733 Encoding method: RLL1,7 Error Correction: 6-level Reed-Solomon
Interface	Internal drive: ATAPI External drive: Parallel
Reliability Specifications	Hard error rate: <1 in 10 ¹⁵ bits read with Reed-Solomon ECC Mean time between failure: 250,000 hours predicted Warranty: 2-year limited warranty

Power Requirements	<p>Internal drive:</p> <p>+5 Vdc @ 0.7 A +12 Vdc @ 1.0 A</p> <p>External drive:</p> <p>Tape drive: +16 Vdc @ 1.3 A Power supply: 100-240 VAC, 50/60 Hz, 1.0 A</p>
Specified Operating Temperature	<p>Minimum: 5° C (41° F)</p> <p>Internal drive maximum: 40° C (104° F)</p> <p>External drive maximum: 35° C (95° F)</p>
Certifications	<p>UL, cUL, TÜV, CE, meets or exceeds FCC Class B requirements</p>

[Top of Page](#)

Drive Specifications: HP Colorado 14GB Tape Drive

Backup Speed	<p>Data transfer rate: up to 1024 KBps</p> <p>Tape speed: Read/write: up to 102 inches per second</p> <p>Tape speed: Search/rewind: 120 inches per second</p> <p>Load time: 15 seconds</p>
Tape Format	<p>QIC-3220</p> <p>Number of tracks: 108</p> <p>Bit density: 106,400</p> <p>Encoding method: RLL1,7</p> <p>Error Correction: 10-level Reed-Solomon</p>
Interface	<p>Internal drive: ATAPI</p> <p>External drive: Parallel</p>
Reliability Specifications	<p>Hard error rate: <1 in 10¹⁵ bits read with Reed-Solomon ECC</p> <p>Mean time between failure: 250,000 hours predicted</p> <p>Warranty: 2-year limited warranty</p>

Power Requirements	<p>Internal drive:</p> <p>+5 Vdc @ 0.8 A +12 Vdc @ 1.3 A</p> <p>External drive:</p> <p>Tape drive: +16 Vdc @ 1.3 A Power supply: 100-240 VAC, 50/60 Hz, 1.0 A</p>
Specified Operating Temperature	<p>Minimum: 5° C (41° F)</p> <p>Internal drive maximum: 40° C (104° F)</p> <p>External drive maximum: 40° C (104° F)</p>
Certifications	<p>UL, cUL, TÜV, CE, meets or exceeds FCC Class B requirements</p>

[Top of Page](#)

Drive Specifications: HP SureStore T20 Tape Drive

Backup Speed	<p>Data transfer rate</p> <p>Sustained: 1042 KBps at 100 ips Burst: 3MB/second</p> <p>Tape speed</p> <p>Read/write: 50, 75, 100 inches per second Search/rewind: 90, 120 inches per second Load time: 30 seconds</p> <p>Retention time:</p> <p>740-foot tape, 150 seconds 400-foot tape, 81 seconds</p>
Tape Format	<p>Media: HP 20GB/Travan TR-5 (QIC-3220)</p> <p>Number of tracks: 108</p> <p>Bit density: 106,400</p> <p>Encoding method: RLL1,7</p> <p>Error Correction: 10-level Reed-Solomon</p>
Interface	<p>SCSI-2</p>

Reliability Specifications	<p>Hard error rate: <1 in 10¹⁵ bits read with Reed-Solomon ECC</p> <p>Mean time between failures (20% duty cycle):</p> <p style="padding-left: 40px;">Internal: 250,000 hours predicted</p> <p style="padding-left: 40px;">External: 200,000 hours predicted</p>
Power Requirements	<p>Internal drive:</p> <p>5V±5%, 0,9A peak; 0.8A max steady state 12V ±10%, 2.5A peak; 1.3A max steady state</p> <p>External drive:</p> <p>Tape drive: +16 Vdc @ 1.3 A Power supply: 100-240 VAC, 50/60 Hz, 1.0 A</p>
Specified Operating Temperature	<p>Minimum: 5° C (41° F) Maximum: 40° C (104° F) Relative humidity: 20% to 80% (non-condensing)</p> <p>CAUTION: If a cartridge has been exposed to conditions outside its operating range, you should acclimatize the cartridge by leaving it in the operating environment for eight hours before using it.</p>
Physical Specifications	<p>Internal:</p> <p>Dimensions: 43mm H x 149mm W x 206mm D (1.69 in x 5.86 in. x 8.1 in) Weight: 0.55 kg (1 lb, 3 oz)</p> <p>External:</p> <p>Dimensions: 55.9mm H x 147mm W x 208mm D (2.2 in x 5.8 in x 8.2 in) Weight: 0.83 kg (1.82 lbs)</p>
LED Specifications	<p>Class 1 LED product</p>
Certifications	<p>Internal: UL, cUL, TÜV, CE, meets or exceeds FCC Class B requirements</p> <p>External: UL, cUL, TÜV, NOM-NYCE, CE, meets or exceeds FCC Class B requirements</p>

[Top of Page](#)



Home



Index



Help

HP Colorado and HP SureStore Tape Drive User's Guide

[Feedback](#)

Copyright © 1999 Hewlett-Packard Company



[Using Your Tape Drive](#)

System Requirements

[Hardware Requirements](#)

[Drive Specifications](#)

[Performance Factors](#)

[Customer Support](#)

[Legal Information](#)

[Related Documentation](#)

[Printing This Guide](#)



Home



Index



Help

Performance Factors

How well your new HP tape drive functions, particularly how fast it writes data to tape, depends on a number of factors. Some of these factors are listed below.

- **Processor (CPU).** The type and speed of your processor greatly affects the speed at which your computer transfers data to and from the tape drive.
- **RAM.** Your computer must have enough memory available to handle its operating system, the backup software, and the data you are transferring to and from tape. The system should not have to swap data to and from the hard drive. Shut down other programs during a backup to ensure optimal speed.
- **For optimal performance,** run `SCANDISK.EXE` and `DEFRAG.EXE` on your hard drive before using your tape drive for the first time (see your operating manual for more information). In the future, run these executable programs periodically. These programs improve access times to the hard drive, which will help improve tape drive performance.

For HP Colorado tape drives only:

- **IDE Interface Type.** To use the internal tape drive, your computer requires an available connector on an IDE controller. Your computer may have a “Single-FIFO” or “Dual-FIFO” IDE controller. If it is “Single-FIFO,” the tape drive will run 12 to 25 percent slower than with a “Dual-FIFO” IDE controller.
- **Hard Drive.** If you attach the HP Colorado tape drive to the same IDE controller as a hard drive, the tape drive will run slower because it must take turns using the data cable with the hard drive.

NOTE: Refer to your computer and motherboard manuals, or contact your computer vendor, if you have any questions about your computer's configuration or capabilities.



Home



Index



Help

HP Colorado and HP SureStore Tape Drive User's Guide

[Feedback](#)

Copyright © 1999 Hewlett-Packard Company



HP Colorado and HP SureStore Tape Drive User's Guide

[Using Your Tape Drive](#)

[System Requirements](#)

Customer Support

[Telephone Support](#)

[Fax Support](#)

[Internet Services](#)

[Addresses](#)

[Returning Your Tape Drive](#)

[Where to Buy](#)

[Legal Information](#)

[Related Documentation](#)

[Printing This Guide](#)



Home



Index



Help

Telephone Support

For technical support for HP Colorado Backup II, HP SureStore T20, and TapeWare backup software, contact [HP Customer Support](#).

For information on upgrading to a new version of TapeWare, contact [Yosemite Technologies](#).

Before calling for service or support:

- Check that your drive is installed correctly.
- Check the troubleshooting advice in the *User's Guide* and in the documentation that came with your computer, the host adapter, and your backup software.

HP Customer Support

There is no charge for technical support during the warranty period; a per-incident charge applies after the warranty period.

USA and Canada M-F, 6 am-6 pm Mountain time	Literature and dealer referral	970-635-1500
	Canada (for French-speaking customers)	1-800-387-3867 (pour assistance en français)
	Technical support during warranty period	970-635-1500 (USA, Mountain time) 905-206-4663 (Canada, Eastern Standard Time)
	U.S. only: Technical support after warranty period (charges begin only when you connect to a support technician; prices are subject to change without notice)	800-810-0130 (Per incident fee of \$25 US dollars charged to Visa, MasterCard or American Express) 900-555-1800 (\$2.50 per minute/maximum of \$25. You must be 18 years of age or have parental permission to call 900 numbers.)

<p>Europe M-F, 8:30-18:00 Central European Time</p> <p>Use these Technical Support numbers during and after your warranty period. No charge for technical support during warranty period. Per incident charge after warranty period.</p>	Austria (German)	0711 4201080
	Belgium (Dutch)	02 626 88 06
	Belgium (French)	02 626 88 07
	Denmark	3929 4099
	Finland	0203 47 288
	France	01 43 62 34 34
	Germany	0180 52 58 143
	Ireland (English)	01 662 55 25
	Italy	02 2 641 0350
	Netherlands	020 606 8751
	Norway	22 11 62 99
	Portugal	+351 21 3176333
	Spain	902 321 123
	Sweden	08 61 92 170
	Switzerland (French, Italian, and German)	08 48 80 11 11
United Kingdom	0171 512 52 02	
English language support from other countries	+44 171 512 52 02	
<p>Asia/Pacific</p>	Australia (M-F 7am-7pm, Eastern Standard Time)	+61 (03) 887 8000
	China (M-F 8:30-17:30)	(8610)-62625666 (extensions 5602 through 5609, 5611 and 5612)
		(8610)-62614174
		(8610)-62624175
		(8610)-62614176
	Hong Kong	800 96-7729
	India (M-F, 9:30 to 17:30)	(91) 11 682 6035
	Indonesia	(62) 21-350-3408
Japan (M-F, 9:00 to 12:00; 13:00-17:00)	+81 (3) 3335-8338	

Korea (M-F, 8:30-19:00)	(02) 3270-0700 Toll free: 080-999-0700
Malaysia	(60) 3-295-2566
New Zealand (M-F, 9am to 9pm Auckland Time)	(09) 356 3660
Philippines	(63) 2-867-3551
Singapore (M-F, 9:00-17:00)	(65) 272-5300
Taiwan (M-F, 8:30-18:00)	(886) 2 27170055
Thailand	(66) 2-661-4011

Yosemite Technologies Upgrade Support

For questions about upgrading to a new version of TapeWare, contact Yosemite Technologies at:

International	M-F 8:00-17:00 USA PST	559-292-8888
North America		1-800-228-9236



Home



Index



Help

HP Colorado and HP SureStore Tape Drive User's Guide

[Feedback](#)

Copyright © 1999 Hewlett-Packard Company



[Using Your Tape Drive](#)

[System Requirements](#)

Customer Support

[Telephone Support](#)

Fax Support

[Internet Services](#)

[Addresses](#)

[Returning Your Tape Drive](#)

[Where to Buy](#)

[Legal Information](#)

[Related Documentation](#)

[Printing This Guide](#)

Fax Support

Faxes are answered within 48 hours.

Asia/Pacific	Australia	(03) 9272 4099
	India	+91 (11) 6826041
	Japan	+81 (3) 3335-8338
	Korea	(02) 3270-0707
	New Zealand	(+61 3) 9272 4099
	Singapore	(65) 274-2033
	Taiwan	(886) 2 25140276



Home



Index



Help

[Feedback](#)

Copyright © 1999 Hewlett-Packard Company



HP Colorado and HP SureStore Tape Drive User's Guide

[Using Your Tape Drive](#)

[System Requirements](#)

Customer Support

[Telephone Support](#)

[Fax Support](#)

[Internet Services](#)

[Addresses](#)

[Returning Your Tape Drive](#)

[Where to Buy](#)

[Legal Information](#)

[Related Documentation](#)

[Printing This Guide](#)



Home



Index



Help

Internet Services

HP offers electronic services that give you a fast, interactive way to access information and help on setup, configuration, installation and operation of your product.

America Online

Download software, firmware and support documents and discuss issues in user forums. Find us with keyword `hpstor`.

In France, Germany, and the UK, keyword is `HP`.

CompuServe

Download software, firmware and support documents and discuss issues in user forums from our CompuServe account at `GO HPSYS`.

In the UK, France, Belgium, Germany, Switzerland, and Austria, address is `GO HP`.

World Wide Web

Software drivers, product and support information are available from HP's web site on the Internet at <http://www.hp.com/support/storage>

Or you can visit our online troubleshooting tree at <http://www.hp.com/isgsupport/travantree.html>

For HP Japan: <http://www.jpn.hp.com>

For HP Korea: <http://www.hp.co.kr>

For software connectivity information:
<http://www.hp.com/go/colorado> (presales) or
<http://www.hp.com/support/storage> (postsales)

NOTE: An internet connection is required to access the above sites.

Bulletin board site (8,N,1,F, 1200-28.8K baud)

Download software, firmware and support documents and leave messages for technical support.

Europe	+31 495 546909
Australia	(03) 9890 0276
Korea	Hitel: (02) 762-0228 Access: Go HPK Chollian: (02) 220-2001
Taiwan	(886) 2 923 3233 First Name: HP Last Name: BBS

E-mail

NOTE: E-mail support is only available in North America.

Send messages to HP Colorado Tape Backup technical support at

colorado_support@hp.com

Send comments about the HP Colorado Tape Backup documentation to

colorado_doc@hp.com

File Transfer Protocol

Software drivers, product and support information are available from our FTP site.

Site:	ftp.hp.com
Login:	anonymous
Password:	(Your email address)
Directory:	/pub/information_storage/hp-colorado <i>or</i> /pub/information_storage/surestore

For HP Korea, download software and firmware files, as well as technical newsletters for dealers.

IP address (NT Server): 15.31.11.50

Remote access number: (02) 3270-0808



Home



Index



Help

HP Colorado and HP SureStore Tape Drive User's Guide

[Feedback](#)

Copyright © 1999 Hewlett-Packard Company



HP Colorado and HP SureStore Tape Drive User's Guide

[Using Your Tape Drive](#)

[System Requirements](#)

Customer Support

[Telephone Support](#)

[Fax Support](#)

[Internet Services](#)

Addresses

[Returning Your Tape Drive](#)

[Where to Buy](#)

[Legal Information](#)

[Related Documentation](#)

[Printing This Guide](#)



Home



Index



Help

Addresses

China (PRC)	Hewlett-Packard Customer Support Center China World Trade Center No. 1 Jian Guo Men Wai Avenue P.O. Box 9401 Beijing 100004 China
Europe	Hewlett-Packard Nederland B.V. European Customer Support Center P.O. Box 58144 1040 HC Amsterdam The Netherlands
India	Hewlett-Packard India Ltd. HP Customer Support Centre Chandiwala Estate Maa Anandmai Marg Kalkaji Dehli - 110 019 India
Korea	Hewlett-Packard Customer Support Center 1F, Yongsan Electronic Office 16-58, Hangangro 3-ga, Yongsan-gu Seoul, Korea
North and South America	HP SureStore Technical Support 815 14th Street SW, Bldg. E Loveland, CO 80537 USA
Singapore	Hewlett-Packard Far East (Pte) Ltd. South East Asia Customer Support Centre Blk A #05-12 Alexandra Technopark 438A Alexandra Road Singapore 119967
Taiwan (ROC)	Hewlett-Packard Customer Care Center 8F, 337, Fu-Hsing North Road Taipei 105, Taiwan, R.O.C.



HP Colorado and HP SureStore Tape Drive User's Guide

[Feedback](#)

Copyright © 1999 Hewlett-Packard Company



[Using Your Tape Drive](#)

[System Requirements](#)

Customer Support

[Telephone Support](#)

[Fax Support](#)

[Internet Services](#)

[Addresses](#)

Returning Your Tape Drive

[Where to Buy](#)

[Legal Information](#)

[Related Documentation](#)

[Printing This Guide](#)



Home



Index



Help

Returning Your Tape Drive

All countries other than the USA: If your Hewlett-Packard product requires repair or replacement, call [Customer Support](#) to receive instructions.

In the USA: If your Hewlett-Packard product requires repair or replacement, follow these instructions:

Call [Customer Support](#) for help in determining whether your drive is defective. When you call, make sure your tape drive is still installed, and have the following information available:

- Product name and serial number
- Date of purchase
- A description of the product fault
- A contact name and number for details of the failure
- Your shipping address

You will be given a return authorization number. Keep the return authorization (RA) number for future reference.

Hewlett-Packard will ship you a replacement product. If your tape drive is still under warranty, a prelabeled box and prepaid return postage for your defective product are included with your new drive.

For an additional cost, a replacement product can be shipped to you in advance, with a return shipping label included. After installing the replacement unit, securely repackage the defective tape drive in the same box the replacement unit was shipped in. Include a brief letter with your return address, day-time telephone number, and the return authorization number. Affix the shipping label to the top of the box.

If the product is still under warranty, there is no charge for the replacement. If the product is not covered under warranty, an exchange cost will be quoted when the return authorization number is issued.

NOTE: When returning the drive to HP, any damage caused as a result of inadequate packaging is your responsibility. Use the original packing materials whenever possible.

SureStore Express Exchange

HP SureStore tape products come with a 24-hour Express Exchange warranty.

During the first two years, the 24-hour Express Exchange (not available in all countries) program allows you to receive a refurbished unit by next-day delivery upon verification of a faulty tape drive.

If you choose not to use Express Exchange, your HP SureStore tape drive must be serviced by one of the authorized repair depots within the country in which it was originally purchased. You must prepay shipping charges (together with all duty and taxes) for products returned for service. Hewlett-Packard will pay for return of products to you, except for those shipped from another country. If the drive is repaired by an authorized dealer, you will need to negotiate the method and cost of returning the drive with the dealer.



Home



Index



Help

HP Colorado and HP SureStore Tape Drive User's Guide

[Feedback](#)

Copyright © 1999 Hewlett-Packard Company



HP Colorado and HP SureStore Tape Drive User's Guide

[Using Your Tape Drive](#)

[System Requirements](#)

Customer Support

[Telephone Support](#)

[Fax Support](#)

[Internet Services](#)

[Addresses](#)

[Returning Your Tape Drive](#)

Where to Buy

[Legal Information](#)

[Related Documentation](#)

[Printing This Guide](#)



Home



Index



Help

Where to Buy

There are several ways to purchase Hewlett-Packard storage products and tapes. Options vary by geographic location, and not all storage products are available through every Hewlett-Packard reseller.

The latest information about HP's tape products is available on the world wide web at <http://www.hp.com/tape>.

To find the authorized reseller nearest you, please call:

Americas	US	1-800-826-4111
	Canada	1-800-387-3867
	Latin America	(525) 202 0155
Asia/Pacific	Australia	13147, ACN#004394763
	Hong Kong	(852) 2599 7066
	Korea	(822) 769 0114/0600
	India	(9111) 647 2311
	Indonesia PT (Berca, Hardaya, Perkasa)	(6221) 3800902
	Malaysia	(603) 298 1111
	New Zealand	(0800) 651651
	Philippines	(632) 894 1451
	PRC	(8610) 6505 3888
	Singapore	(65) 272 5300
	Taiwan	(8862) 717 9609
	Thailand	(662) 661 3900 to 34
	Vietnam	(848) 844 3411
	International Sales Branch (ISB) for Middle East & Africa (Geneva)	(22) 780 4111
	Austria	(1) 25000 ext 536
	Belgium & Luxembourg	(02) 778 3111
	Czech Republic	(02) 47 43 111

Europe

Denmark	45 99 10 00
HQ East Central Europe (Vienna) includes Albania, Bulgaria, Ukraine, Slovakia, and Romania	(1) 25000 0
Finland	(09) 88 721
France	(1) 69 82 60 60
Germany	(0180) 521 26 24
Greece	(01) 689 64 11
Hungary	(1) 343 0050
Iceland	(91) 67 10 00
Ireland	(01) 28 44 633
Italy	(02) 92121
Netherlands	(020) 547 6666
Norway	(22) 73 59 60
Poland	(22) 60 87 700
Portugal	(1) 482 8500
Russia	(095) 9286 885
Spain	(1) 631 1600
Sweden	(08) 444 2000
Switzerland	0484 80 11 11
Turkey	(212) 22 45 925
UK	0990 474747
European Headquarters (Geneva)	(22) 780 8111



Home



Index



Help

HP Colorado and HP SureStore Tape Drive User's Guide

[Feedback](#)

Copyright © 1999 Hewlett-Packard Company



Home



Index



Help

[Using Your Tape Drive](#)

[System Requirements](#)

[Customer Support](#)

Legal Information

Statements

[Software License Agreement](#)

[Limited Warranty Statement](#)

[Media Warranty Statement](#)

[Related Documentation](#)

[Printing This Guide](#)

Statements

Federal Communications Commission R.F. Interference Statement

Warning: This equipment has been tested and found to comply with the limits for a Class B digital device, pursuant to Part 15 of FCC Rules. These limits are designed to provide reasonable protection against harmful interference in a residential installation. This equipment generates, uses and can radiate radio frequency energy and, if not installed and used in accordance with the instructions, may cause harmful interference to radio communications. However, there is no guarantee that interference will not occur in a particular installation. If this equipment does cause harmful interference to radio or television reception, which can be determined by turning the equipment off and on, the user is encouraged to try to correct the interference by one or more of the following measures:

- Reorient or relocate the receiving antenna.
- Increase the separation between the equipment and receiver.
- Connect the equipment into an outlet on a circuit different from that to which the receiver is connected.
- Consult the dealer or an experienced radio/TV technician for help.

Caution: Changes or modifications of this equipment not expressly approved by Hewlett-Packard, could result in violation of Part 15 of FCC rules.

External drive only: To maintain compliance with FCC rules and regulations, use properly shielded cables with this device.

HP Colorado 5GB/8GB Internal:

DECLARATION OF CONFORMITY

according to ISO/IEC Guide 22 and EN 45014

Manufacturer's Name: Hewlett-Packard Company

Manufacturer's Address: Workgroup Information Management Division
815 SW 14th Street, Building E
Loveland, Colorado 80537

declares that product

Product Name: HP Colorado 5GB/8GB internal
Product Number: C4354A (5GB), C4386A (8GB)
Product Options: All

conforms to the following Product Specifications:

Safety: EN60950 A4:1997

EMC: EN 55022:1994 Class B
EN 50082-1:1992
IEC 801-2:1991 - 4kV CD, 8kV AD
IEC 801-3:1984 - 3V/m
IEC 801-4:1988 - 1kV Power Lines, 0.5kV Signal Lines
ENV 50140:1993 - 3V/m

Supplementary Information

The product herewith complies with the requirements of the EMC Directive 89/336/EEC and carries the "CE" mark accordingly.

July 1, 1998 **Colin Swan, Operations Manager**

European contact: Your local Hewlett-Packard Sales and Service Office or Hewlett-Packard GmbH, Department HQ-TRE, Herrenberger Strabe 130, D-71034 Böblingen (FAX: +49-7031-143143).

HP Colorado 5GB/8GB External:

DECLARATION OF CONFORMITY

according to ISO/IEC Guide 22 and EN 45014

Manufacturer's Name: Hewlett-Packard Company

Manufacturer's Address: Workgroup Information Management Division
815 SW 14th Street, Building E
Loveland, Colorado 80537

declares that product

Product Name: HP Colorado 5GB/8GB external
Product Number: C4361A (5GB), C4388A (8GB)
Product Options: All

conforms to the following Product Specifications:

Safety: EN60950 A4:1997

EMC: EN 55022:1994 Class B
EN 50082-1:1992
IEC 801-2:1991 - 4kV CD, 8kV AD
IEC 801-3:1984 - 3V/m
IEC 801-4:1988 - 1kV Power Lines, 0.5kV Signal Lines
ENV 50140:1993 - 3V/m

Supplementary Information

The product herewith complies with the requirement of the Low Voltage Directive 73/23/EEC and the EMC directive 89/336/EEC and carries the "CE" mark accordingly.

July 1, 1998 **Colin Swan, Operations Manager**

European contact: Your local Hewlett-Packard Sales and Service Office or Hewlett-Packard GmbH, Department HQ-TRE, Herrenberger Strabe 130, D-71034 Böblingen (FAX: +49-7031-143143).

HP Colorado 14GB Internal:

DECLARATION OF CONFORMITY

according to ISO/IEC Guide 22 and EN 45014

Manufacturer's Name: Hewlett-Packard Company

Manufacturer's Address: Workgroup Information Management Division
815 SW 14th Street, Building E
Loveland, Colorado 80537

declares that product

Product Name: HP Colorado 14GB internal
Product Number: C4405A, C4407A, C4409A
Product Options: All

conforms to the following Product Specifications:

Safety: EN60950 A4:1997
IEC 60950:1991
+A1:1992 + A2:1993 + A3:1995 + A4:1996

EMC: CISPR 22:1993/EN 55022:1994 Class B
EN 50082-1:1992
IEC 801-2:1991 - 4kV CD, 8kV AD
IEC 801-3:1984 - 3V/m
IEC 801-4:1988 - 1kV Power Lines, 0.5kV Signal Lines
ENV 50140:1993 - 3V/m
FCC Part 15 Class B
AS/NZS 3548:1995
CNS 13438:1994

Supplementary Information

The product was tested in a typical configuration.

The product herewith complies with the requirements of the EMC Directive 89/336/EEC and carries the "CE" mark accordingly.

Hewlett-Packard recommends that testing and analysis for EMC compliance be performed with the drive mechanism installed within the end-use application.

November 18, 1998 **Colin Swan, Operations Manager**

European contact: Your local Hewlett-Packard Sales and Service Office or Hewlett-Packard GmbH, Department HQ-TRE, Herrenberger Strabe 130, D-71034 Böblingen (FAX: +49-7031-143143).

HP Colorado 14GB External:

DECLARATION OF CONFORMITY

according to ISO/IEC Guide 22 and EN 45014

Manufacturer's Name: Hewlett-Packard Company

Manufacturer's Address: Workgroup Information Management Division
815 SW 14th Street, Building E
Loveland, Colorado 80537

declares that product

Product Name: HP Colorado 14GB external
Product Number: C4406A, C4408A
Product Options: All

conforms to the following Product Specifications:

Safety: EN60950 A4:1997
IEC 60950:1991
+A1:1992 + A2:1993 + A3:1995 + A4:1996

EMC: CISPR 22:1993/EN 55022:1994 Class B
EN 50082-1:1992
IEC 801-2:1991 - 4kV CD, 8kV AD
IEC 801-3:1984 - 3V/m
IEC 801-4:1988 - 1kV Power Lines, 0.5kV Signal Lines
ENV 50140:1993 - 3V/m
ENV 61000-3-2:1995 Class D
ENV 61000-3-3:1995 Class D
FCC Part 15 Class B
AS/NZS 3548:1995
CNS 13438:1994

Supplementary Information

The product was tested in a typical configuration.

The product herewith complies with the requirements of the Low Voltage Directive 73/23/EEC and the EMC Directive 89/336/EEC and carries the "CE" mark accordingly.

This device complies with Part 15 of the FCC Rules of the USA. Operation is subject to the following two conditions: (1) this device may not cause harmful interference, and (2) this device must accept any interference received, including interference that may cause undesired operation.

November 18, 1998

Colin Swan, Operations Manager

European contact: Your local Hewlett-Packard Sales and Service Office or Hewlett-Packard GmbH, Department HQ-TRE, Herrenberger Strabe 130, D-71034 Böblingen (FAX: +49-7031-143143).

HP SureStore T20 (all models):

DECLARATION OF CONFORMITY

according to ISO/IEC Guide 22 and EN 45014

Manufacturer's Name: Hewlett-Packard Company

Manufacturer's Address: Loveland Tape Operation
815 SW 14th Street, Building E
Loveland, Colorado 80537

declares that products

Product Name:	Product Number:
HP SureStore T20i	C4394
HP SureStore T20e	C4395
HP SureStore T20Xi	C4401
HP SureStore T20X3	C4402

Product Options: All

conforms to the following Product Specifications:

Safety: EN60950 A4:1997
IEC 950 A4:1996

EMC: CISPR 22:1993/EN 55022:1994 Class B
EN 50082-1:1992
IEC 801-2:1991 - 4kV CD, 8kV AD
IEC 801-3:1984 - 3V/m
IEC 801-4:1988 - 1kV Power Lines, 0.5kV Signal Lines
ENV 50140:1993 - 3V/m

Supplementary Information

The product herewith complies with the requirements of the Low Voltage Directive 73/23/EEC and the EMC Directive 89/336/EEC and carries the "CE" mark accordingly.

November 18, 1998

Colin Swan, Operations Manager

European contact: Your local Hewlett-Packard Sales and Service Office or Hewlett-Packard GmbH, Department HQ-TRE, Herrenberger Strabe 130, D-71034 Böblingen (FAX: +49-7031-143143).

FCC Declaration of Conformity

According to 47CFR, Parts 2 and 15, Class B Computer Peripherals:

This device complies with Part 15 of the FCC Rules. Operation is subject to the following two conditions: (1) This device may not cause harmful interference, (2) This device must accept any interference received including interference that may cause undesired operations. This applies to all product options.

Hewlett-Packard Company

815 SW 14th Street, Bldg. E
Loveland, Colorado 80537

July 1, 1998
Colin Swan, Operations Manager

Canadian Standards Association Information Statement

INSTRUCTION TO USER:

Warning: This component is only considered to be approved when installed in CSA certified equipment evaluated to the standards C22.2 No. 220-M1986 or C22.2 No. 950-M89. The operator accessibility into the end use enclosure is defined with strict accordance in the operator's manual for the installation of components into the equipment.

Notice for Canada

This digital apparatus does not exceed the Class B limits for radio noise emissions from digital apparatus as set out in the radio interference regulations of the Canadian Department of Communications.

Le présent appareil numérique n'émet pas de bruits radioélectriques dépassant les limites applicables aux appareils numériques de Classe B prescrites dans le règlement sur le brouillage radioélectrique édicté par le Ministère des Communications du Canada.

User's manual statement for VCCI class B product

この装置は、情報処理装置等電波障害自主規制協議会（VCCI）の基準に基づくクラスB情報技術装置です。この装置は、家庭環境で使用することを目的としています。この装置がラジオやテレビジョン受信機に近接して使用されると受信障害を引き起こすことがあります。
取り扱い説明書に従って正しい取り扱いをして下さい。

Translation for VCCI class B product:

This equipment is in the Class B category information technology equipment based on the rules of Voluntary Control Council For Interference by Information Technology Equipment (VCCI). Although aimed for residential area operation, radio interference may be caused when used near a radio or TV receiver.

Read the instructions for correct operation.

Korean RRL Statement

사용자 안내문 (B급 기기)

이 기기는 비업무용으로 전자과장해검정을 받은 기기로서, 주거지역은 물론 모든 지역에서 사용할 수 있습니다.

Notice

Europe: This drive shall be installed only with an EN60950 (IEC950) approved Power supply.

USA/Canada: This drive is for use only with IBM compatible UL® listed personal computers.



Home



Index



Help

HP Colorado and HP SureStore Tape Drive User's Guide

[Feedback](#)

Copyright © 1999 Hewlett-Packard Company



[Using Your Tape Drive](#)

[System Requirements](#)

[Customer Support](#)

Legal Information

[Statements](#)

[Software License Agreement](#)

[Limited Warranty Statement](#)

[Media Warranty Statement](#)

[Related Documentation](#)

[Printing This Guide](#)



Home



Index



Help

Software License Agreement

ATTENTION: USE OF THE SOFTWARE IS SUBJECT TO THE HP SOFTWARE LICENSE TERMS SET FORTH BELOW. USING THE SOFTWARE INDICATES YOUR ACCEPTANCE OF THESE LICENSE TERMS. IF YOU DO NOT ACCEPT THESE LICENSE TERMS, YOU MAY RETURN THE SOFTWARE FOR A FULL REFUND. IF THE SOFTWARE IS BUNDLED WITH ANOTHER PRODUCT, YOU MAY RETURN THE ENTIRE UNUSED PRODUCT FOR A FULL REFUND.

HP SOFTWARE LICENSE TERMS

License Grant. Internal drive: HP grants you a license to Use one copy of the Software. External drive: HP grants you a license to Use multiple copies of the Software but only for Use in conjunction with the HP hardware product that accompanied the Software. “Use” means storing, loading, installing, executing or displaying the Software. You may not modify the Software or disable any licensing or control features of the Software.

Ownership. The Software is owned and copyrighted by HP or its third party suppliers. Your license confers no title or ownership in the Software and is not a sale of any rights in the Software. HP's third party suppliers may protect their rights in the event of any violation of these License Terms.

Copies and Adaptations. You may only make copies or adaptations of the Software for archival purposes or when copying or adaptation is an essential step in the authorized Use of the Software. You must reproduce all copyright notices in the original Software on all copies or adaptations. You may not copy the Software onto any bulletin board or similar system.

No Disassembly or Decryption. You may not disassemble or decompile the Software unless HP's prior written consent is obtained. In some jurisdictions, HP's consent may not be required for limited disassembly or decompilation. Upon request, you will provide HP with reasonably detailed information regarding any disassembly or decompilation. You may not decrypt the Software unless decryption is a necessary part of the operation of the Software.

Transfer. Your license will automatically terminate upon any transfer of the Software. Upon transfer, you must deliver the Software, including any copies and related documentation, to the transferee. The transferee must accept these License Terms as a condition to the transfer.

Termination. HP may terminate your license upon notice for failure to comply with any of these License Terms. Upon termination, you must immediately destroy the Software, together with all copies, adaptations and merged portions in any form.

Export Requirements. You may not export or re-export the Software or any copy or adaptation in violation of any applicable laws or regulations.

U.S. Government Restricted Rights. The Software and any accompanying documentation have been developed entirely at private expense. They are delivered and licensed as “commercial computer software” as defined in DFARS 252.227-7013 (Oct 1988), DFARS 252.211-7015 (May 1991) or DFARS 252.227-7014 (Jun 1995), as a “commercial item” as defined in FAR 2.101(a), or as “Restricted computer software” as defined in FAR 52.227-19 (Jun 1987) (or any equivalent agency regulation or contract clause), whichever is applicable. You have only those rights provided for such Software and any accompanying documentation by the applicable FAR or DFARS clause or the HP standard software agreement for the product involved.



Home



Index



Help

HP Colorado and HP SureStore Tape Drive User's Guide

[Feedback](#)

Copyright © 1999 Hewlett-Packard Company



[Using Your Tape Drive](#)

[System Requirements](#)

[Customer Support](#)

Legal Information

[Statements](#)

[Software License Agreement](#)

[Limited Warranty Statement](#)

[Media Warranty Statement](#)

[Related Documentation](#)

[Printing This Guide](#)



Home



Index



Help

Limited Warranty Statement

HP Colorado Tape Drive

HP SureStore T20 Tape Drive

DURATION OF LIMITED WARRANTY

Hardware - 2 year

Software - 90 days

1. HP warrants to you, the end-user customer, that HP hardware, accessories and supplies will be free from defects in materials and workmanship after the date of purchase, for the period specified above. If HP receives notice of such defects during the warranty period, HP will, at its option, either repair or replace products which prove to be defective. Replacement products may be either new, refurbished, or later products of comparable or greater performance.
2. HP warrants to you that HP software will not fail to execute its programming instructions after the date of purchase, for the period specified above, due to defects in material and workmanship when properly installed and used. If HP receives notice of such defects during the warranty period, HP will replace software which does not execute its programming instructions due to such defects.
3. HP warrants that this HP Product will be able to accurately process date data (including, but not limited to, calculating, comparing, and sequencing) from, into, and between the twentieth and twenty-first centuries, and the years 1999 and 2000, including leap year calculations, when used in accordance with the Product documentation provided by HP (including any instructions for installing patches or upgrades), provided that all other products (e.g. hardware, software, firmware) used in combination with such HP Product(s) properly exchange date data with it. The duration of the Year 2000 warranty extends through January 31, 2001. Software from third parties that is bundled with this HP Product is not warranted and has not been reviewed. Information with respect to these applications should be requested from the respective manufacturer.
4. HP does not warrant that the operation of HP products will be uninterrupted or error free. If HP is unable, within a reasonable time, to repair or replace any product to a condition as warranted, you will be

entitled to a refund of the purchase price upon prompt return of the product.

5. HP products may contain remanufactured parts equivalent to new in performance or may have been subject to incidental use.
6. Warranty does not apply to defects resulting from (a) improper or inadequate maintenance or calibration, (b) software, interfacing, parts or supplies not supplied by HP, (c) unauthorized modification or misuse, (d) operation outside of the published environmental specifications for the product, or (e) improper site preparation or maintenance.
7. TO THE EXTENT ALLOWED BY LOCAL LAW, THE ABOVE WARRANTIES ARE EXCLUSIVE AND NO OTHER WARRANTY OR CONDITION, WHETHER WRITTEN OR ORAL, IS EXPRESSED OR IMPLIED AND HP SPECIFICALLY DISCLAIMS ANY IMPLIED WARRANTIES OR CONDITIONS OF MERCHANTABILITY, SATISFACTORY QUALITY, AND FITNESS FOR A PARTICULAR PURPOSE. Some countries, states or provinces do not allow limitations on the duration of an implied warranty, so the above limitation or exclusion might not apply to you. This warranty gives you specific legal rights and you might also have other rights that vary from country to country, state to state, or province to province.
8. TO THE EXTENT ALLOWED BY LOCAL LAW, THE REMEDIES IN THIS WARRANTY STATEMENT ARE YOUR SOLE AND EXCLUSIVE REMEDIES. EXCEPT AS INDICATED ABOVE, IN NO EVENT WILL HP OR ITS SUPPLIERS BE LIABLE FOR LOSS OF DATA OR FOR DIRECT, SPECIAL, INCIDENTAL, CONSEQUENTIAL (INCLUDING LOST PROFIT OR DATA), OR OTHER DAMAGE, WHETHER BASED IN CONTRACT, TORT, OR OTHERWISE. Some countries, states or provinces do not allow the exclusion or limitation of incidental or consequential damages, so the above limitation or exclusion may not apply to you.

THE WARRANTY TERMS CONTAINED IN THIS STATEMENT, EXCEPT TO THE EXTENT LAWFULLY PERMITTED, DO NOT EXCLUDE, RESTRICT OR MODIFY AND ARE IN ADDITION TO THE MANDATORY STATUTORY RIGHTS APPLICABLE TO THE SALE OF THIS PRODUCT TO YOU.



Home



Index



Help

HP Colorado and HP SureStore Tape Drive User's Guide

[Feedback](#)

Copyright © 1999 Hewlett-Packard Company



[Using Your Tape Drive](#)

[System Requirements](#)

[Customer Support](#)

Legal Information

[Statements](#)

[Software License Agreement](#)

[Limited Warranty Statement](#)

Media Warranty Statement

[Related Documentation](#)

[Printing This Guide](#)



Home



Index



Help

Media Warranty Statement

Hewlett-Packard ("HP") warrants to you, the end user customer that this media product is free from defects in materials and workmanship for a period of five years from the time of purchase. If HP receives notice of such defect during the warranty period, HP will, at its option, either repair or replace such defective product. This warranty does not apply to defects caused by misuse, improper storage, or normal wear and tear. If HP is unable, within a reasonable time, to repair or replace any product then purchaser shall be entitled to a refund of the purchase price. **HP MAKES NO OTHER EXPRESS WARRANTY WHETHER WRITTEN OR ORAL.** This warranty gives you specific legal rights and you may also have other rights that vary from state to state, or province to province.

THE REMEDIES PROVIDED IN THIS WARRANTY STATEMENT ARE CUSTOMER SOLE AND EXCLUSIVE REMEDIES, IN NO EVENT WILL HP OR ITS SUPPLIERS BE LIABLE FOR LOSS OF DATA, DIRECT, INDIRECT, SPECIAL, INCIDENTAL OR CONSEQUENTIAL DAMAGES (INCLUDING LOSS OF PROFITS) WHETHER BASED ON CONTRACT, TORT OR ANY OTHER LEGAL THEORY.

Some states do not allow the exclusion of limitation of incidental or consequential damages, so the above limitation or exclusion may not apply to you. Consumer transactions in the United Kingdom, New Zealand and Australia, the disclaimers and limitations above shall not affect the statutory rights of the consumer.



Home



Index



Help



[Using Your Tape Drive](#)

[System Requirements](#)

[Customer Support](#)

[Legal Information](#)

[Prerequisites](#)

[Related Documentation](#)

[Printing This Guide](#)



Home



Index



Help

Related Documentation

Other documents you can read are:

- [HP SureStore Installation Guide](#)
- [HP Colorado Backup II User's Guide](#)
- [HP Colorado Troubleshooting Guide](#)
- [TapeWare User's Guide](#)

HP SureStore Installation Guide

The installation guide provides information on:

- installing your drive
- installing software
- performing disaster recovery
- using diagnostic tools
- troubleshooting tips

To view the *HP SureStore Installation Guide* from the CD:

1. Insert the *HP SureStore Tape* CD into your CD-ROM drive. The installation program may start automatically. If it does not:
 - Select **Start > Run**.
 - Type **D:/SETUP** (where **D** is your CD-ROM drive), and click **OK**.
2. Select a language, and click **Next**.
3. The installation menu appears. Click **View User Documentation**.
4. Select the name of the document you want to view, and click **Next**. A prompt may instruct you to install the software required to view the guide if it does not exist on your system.

HP Colorado Backup II User's Guide

The software user's guide provides detailed information and procedures for installing, using, and navigating within Colorado Backup II.

To view the *HP Colorado Backup II User's Guide* from the CD:

1. Insert the *HP SureStore Tape* CD into your CD-ROM drive. The

installation program may start automatically. If it does not:

- Select **Start > Run**.
 - Type **D:/SETUP** (where **D** is your CD-ROM drive), and click **OK**.
2. Select a language, and click **Next**.
 3. The installation menu appears. Click **View User Documentation**.
 4. Select the name of the document you want to view, and click **Next**. A prompt may instruct you to install the software required to view the guide if it does not exist on your system.

If you copied the guides during installation to your computer, you can view them by selecting **Start > Programs > HP Colorado Backup II > Software User's Guide**. A prompt may instruct you to install the software required to view the guide if it does not exist on your system.

HP Colorado Troubleshooting Guide

NOTE: The Troubleshooting Guide is not available on the HP SureStore CD. If you need assistance please visit our support website:

<http://www.hp.com/support/travan>

The troubleshooting guide provides:

- troubleshooting tips
- answers to frequently asked questions
- information on preparing your system for a backup.

If you copied the guides during installation to your computer, you can view them by selecting **Start > Programs > HP Colorado Backup II > Troubleshooting Guide**. A prompt may instruct you to install the software required to view the guide if it does not exist on your system.

TapeWare User's Guide

The *TapeWare User's Guide* provides information on:

- installing and using the software
- creating, modifying, and running jobs
- troubleshooting

To view the *TapeWare User's Guide* from the CD:

1. Insert the *TapeWare* CD into your CD-ROM drive.
2. Select **Start > Programs > Windows Explorer**. Click on your CD-ROM drive and locate **doc/eng/acrobat/usersgd.pdf** (where **eng** is the language you want to view). A prompt may instruct you to install Adobe Acrobat to view the guide if it does not exist on your system.

To view the *TapeWare User's Guide* from your computer, select **Start > Programs > TapeWare > TapeWare Help**.



Home



Index



Help

HP Colorado and HP SureStore Tape Drive User's Guide

[Feedback](#)

Copyright © 1999 Hewlett-Packard Company



HP Colorado and HP SureStore Tape Drive User's Guide

[Using Your Tape Drive](#)

[System Requirements](#)

[Customer Support](#)

[Legal Information](#)

[Related Documentation](#)

[Printing This Guide](#)

Prerequisites

This guide assumes you have installed the tape drive and backup software.

If you have not, follow the instructions on the Installation Poster that came with the drive.

NOTE: A PDF (Portable Document Format) file of the Installation Poster is on the backup CD.



Home



Index



Help

HP Colorado and HP SureStore Tape Drive User's Guide

[Feedback](#)

Copyright © 1999 Hewlett-Packard Company



[Using Your Tape Drive](#)

[System Requirements](#)

[Customer Support](#)

[Legal Information](#)

[Prerequisites](#)

[Related Documentation](#)

Printing This Guide

Printing This Guide

A printable PDF file of this *User's Guide* is on the *HP SureStore Tape CD*. To print the PDF:

1. Insert the *HP SureStore Tape CD* into your CD-ROM drive.
2. Select **Start > Programs > Windows Explorer**. Click on your CD-ROM drive and locate **PrintDoc/eng/HPTape.pdf** (where **eng** is the language you want to print).
3. Click on **HPTape.pdf**. This guide appears in Adobe Acrobat Reader. If your system does not have this software, you are prompted to install it from the CD.
4. In Adobe Acrobat Reader, select **File > Print** to print the guide (approximately 60 pages).

NOTE: If you are using Adobe Acrobat 4.0, click **Fit to page** in the print dialog box.



Home



Index



Help



[Using Your Tape Drive](#)

[System Requirements](#)

[Customer Support](#)

[Legal Information](#)

[Related Documentation](#)

[Printing This Guide](#)



Home



Index



Help

Index

[\[A\]](#) [\[B\]](#) [\[C\]](#) [\[D\]](#) [\[E\]](#) [\[F\]](#) [G](#) [\[H\]](#) [\[I\]](#) [J](#) [\[K\]](#) [\[L\]](#) [\[M\]](#) [\[N\]](#) [\[O\]](#) [\[P\]](#) [Q](#) [\[R\]](#) [\[S\]](#) [\[T\]](#) [\[U\]](#) [\[V\]](#) [\[W\]](#) [X](#) [Y](#) [Z](#)

A

[acclimatizing tapes](#)

[addresses](#)

[America Online services](#)

Asia/Pacific support numbers

[fax](#)

[telephone](#)

authorized resellers

[Americas](#)

[Asia/Pacific](#)

[Europe](#)

[Top of Page](#)

B

backup speed

[5GB/8GB](#)

[14GB](#)

[T20](#)

backup software -- see either the *HP SureStore Installation Guide* or the *TapeWare User's Guide*

box contents -- *see the installation guide*

[bulk erasers](#)

[bulletin board site](#)

[Top of Page](#)

C

[Canadian statements](#)

[caring for your tape drive](#)

[caring for tapes](#)

cartridges

[choosing](#)

[differences](#)

[erasing](#)

[HP Colorado](#)

[HP SureStore](#)

[inserting](#)

[mini](#)

[removing](#)

certifications

[5GB/8GB](#)

[14GB](#)

[T20](#)

[choosing tapes](#)

[CompuServe services](#)

customer support

[addresses](#)

[fax](#)

[internet](#)

[telephone](#)

contents of the box -- *see the installation guide*

[Top of Page](#)

D

[data cartridges](#)

[data security of tapes](#)

Declaration of Conformity

[5GB/8GB external drive](#)

[5GB/8GB internal drive](#)

[14GB internal drive](#)

[14GB external drive](#)

[T20 drives](#)

[dimensions, T20](#)

drive specifications: [5GB/8GB](#), [14GB](#), [T20](#)

backup speed: [5GB/8GB](#), [14GB](#), [T20](#)

certifications: [5GB/8GB](#), [14GB](#), [T20](#)

interface: [5GB/8GB](#), [14GB](#), [T20](#)

physical specifications: [T20](#)

LED specifications: [T20](#)

power requirements: [5GB/8GB](#), [14GB](#), [T20](#)

reliability specifications: [5GB/8GB](#), [14GB](#), [T20](#)

tape format: [5GB/8GB](#), [14GB](#), [T20](#)

temperature limits: [5GB/8GB](#), [14GB](#), [T20](#)

[Top of Page](#)

E

E-mail

Colorado_Support@hp.com

[ejecting a cartridge](#)

electrical requirements

[5GB/8GB](#)

[14GB](#)

[T20](#)

environmental specifications

[5GB/8GB](#)

[14GB](#)

[T20](#)

equipment supplied with drive -- *see the installation guide*

[erasing tapes](#)

Europe support numbers

[telephone](#)

[Express Exchange](#)

[Top of Page](#)

F

[fax support](#)

[Asia/Pacific](#)

[FCC statement](#)

[file transfer protocol](#)

[formats, tape](#)

[Top of Page](#)

H

[handling tapes](#)

[hard drive](#)

[hardware requirements](#)

[HP Colorado](#)

[HP SureStore](#)

[help](#)

HP Colorado

[cartridges](#)

[system requirements](#)

HP SureStore

[cartridges](#)

[system requirements](#)

[humidity, T20 tapes](#)

[Top of Page](#)

I

[IDE interface type](#)

[inserting a tape](#)

interface

[5GB/8GB](#)

[14GB](#)

[T20](#)

internet site

<http://www.hp.com/support/storage>

HP Japan: <http://www.jpn.hp.com>

HP Korea: <http://www.hp.co.kr>

online troubleshooting tree: <http://www.hp.com/isgsupport/travantree.html>

[internet support](#)

[America Online](#)

[bulletin board site](#)

[CompuServe](#)

[e-mail](#)

[file transfer protocol](#)

[World Wide Web](#)

installing your tape drive -- *see the installation guide*

[Top of Page](#)

K

[Korean statement](#)

[Top of Page](#)

L

[LED specifications \(T20\)](#)

[legal statements](#)

[Top of Page](#)

M

[maintenance, tape drive](#)

[media monitor](#)

[memory](#)

[mini cartridges](#)

[minimum system requirements](#)

[Top of Page](#)

N

North America support numbers

[telephone](#)

[Top of Page](#)

O

online services

<http://www.hp.com/support/storage>

HP Japan: <http://www.jpn.hp.com>

HP Korea: <http://www.hp.co.kr>

online troubleshooting tree: <http://www.hp.com/isgsupport/travantree.html>

[operating limits](#)

[ordering tapes](#)

[Top of Page](#)

P

parts supplied with drive -- *see the installation guide*

[part numbers](#)

[performance factors](#)

[hard drive](#)

[IDE interface type](#)

[processor speed](#)

[RAM](#)

[phone support](#)

[Asia/Pacific](#)

[Europe](#)

[North America](#)

[physical specifications](#)

[power requirements](#)

[5GB/8GB](#)

[14GB](#)

[T20](#)

[PDF of user's guide](#)

[prerequisites](#)

[printing this guide](#)

[processor speed](#)

[purchasing tapes](#)

[Top of Page](#)

R

[RAM](#)

[read/write head](#)

[regulatory information](#)

[reliability specifications](#)

[5GB/8GB](#)

[14GB](#)

[T20](#)

[removing a tape](#)

[requirements, system](#)

[returning a drive for service](#)

[Top of Page](#)

S

[security of data on tapes](#)

[service agreement](#)

[size of drive](#)

[software license agreement](#)

speed, backup

[5GB/8GB](#)

[14GB](#)

[T20](#)

[specifications](#)

[standard mini cartridges](#)

[statements and declaration of conformity](#)

[storing tapes](#)

[support telephone numbers](#)

[SureStore Express Exchange](#)

[system requirements](#)

[HP Colorado](#)

[HP SureStore](#)

[Top of Page](#)

T

[tape cartridges](#)

tape drive

[caring](#)

[dimension \(T20\)](#)

[fax support](#)

[internet support](#)

[returning](#)

[specifications](#)

[telephone support](#)

[warranty](#)

[weight \(T20\)](#)

tape format

[5GB/8GB](#)

[14GB](#)

[T20](#)

tapes

[caring](#)

[acclimatizing](#)

[causes for data loss](#)

[choosing](#)

format: [5GB/8GB](#), [14GB](#), [T20](#)

[inserting](#)

operating conditions: [5GB/8GB](#), [14GB](#), [T20](#)

[ordering](#)

[removing](#)

[storing](#)

[write-protecting](#)

[TapeWare upgrade support](#)

[technical information](#)

[telephone support](#)

[Asia/Pacific](#)

[Europe](#)

[North America](#)

temperature limits

[5GB/8GB](#)

[14GB](#)

[T20](#)

testing your drive -- *-see the installation guide*

transfer rate

[5GB/8GB](#)

[14GB](#)

[T20](#)

U

URL

<http://www.hp.com/support/storage>

HP Japan: <http://www.jpn.hp.com>

HP Korea: <http://www.hp.co.kr>

online troubleshooting tree: <http://www.hp.com/isgsupport/travantree.html>

[U.S. support numbers](#)

[using the online documentation](#)

[Top of Page](#)

V

[VCCI statement](#)

[vibration limits](#)

[voltage requirements](#)

[Top of Page](#)

W

[warranty](#)

[weight \(T20\)](#)

World Wide Web

[services](#)

<http://www.hp.com/support/storage>

HP Japan: <http://www.jpn.hp.com>

HP Korea: <http://www.hp.co.kr>

online troubleshooting tree: <http://www.hp.com/isgsupport/travantree.html>

[write-protecting tapes](#)

[Top of Page](#)



Home



Index



Help

HP Colorado and HP SureStore Tape Drive User's Guide

[Feedback](#)

Copyright © 1999 Hewlett-Packard Company



[Using Your Tape Drive](#)

[System Requirements](#)

[Customer Support](#)

[Legal Information](#)

[Related Documentation](#)

[Printing This Guide](#)



Home



Index



Help

How to Use the Online Documentation

This page will help you understand how to use the online documentation and get the information you need quickly and efficiently. This page contains information on the following:

- [Locating Information](#)
- [Using Help While You Work](#)
- [Understanding the Icons](#)
- [Printing Documents](#)

Locating Information

A web browser is required to view the user guides. The install process checks your system for Netscape 3.0 or later or Internet Explorer 3.0 or later. If these are not found, you can install Internet Explorer from the CD, which requires approximately 44 MB of hard drive space. You can navigate through the files by:

- clicking on the hypertext links in the panel on the left, or
- using the Back and Forward buttons in your web browser to navigate through sections.

NOTE: When you move your mouse over a hypertext link, the arrow turns into a pointing hand.

Using Help While You Work



You can keep the online documentation running in the background while using the software by minimizing the screen (the middle button in the upper right corner of the window).

Understanding the Icons

The following icons are on the bottom of each page to help you move around the User's Guide and quickly find the information you need:



- Home: Returns you to the HP Colorado Tape User's Guide home page.

-  Index: An alphabetical listing of topics in the User's Guide.
-  Help: Explains how to navigate within the User's Guide.

Printing Documents

You can print any document in this guide by selecting the Print command in your Web browser.



Home



Index



Help

HP Colorado and HP SureStore Tape Drive User's Guide

[Feedback](#)

Copyright © 1999 Hewlett-Packard Company